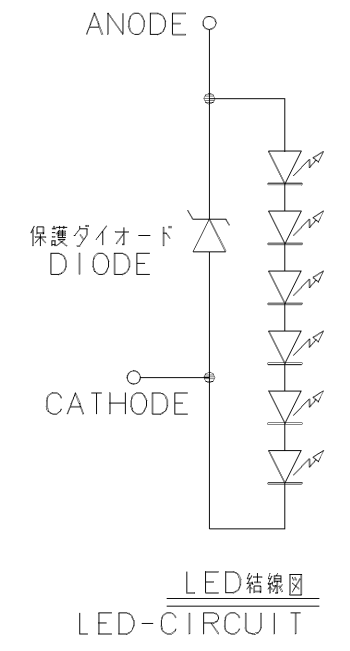
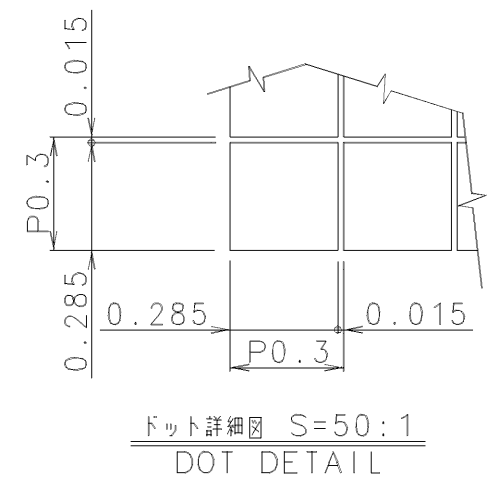
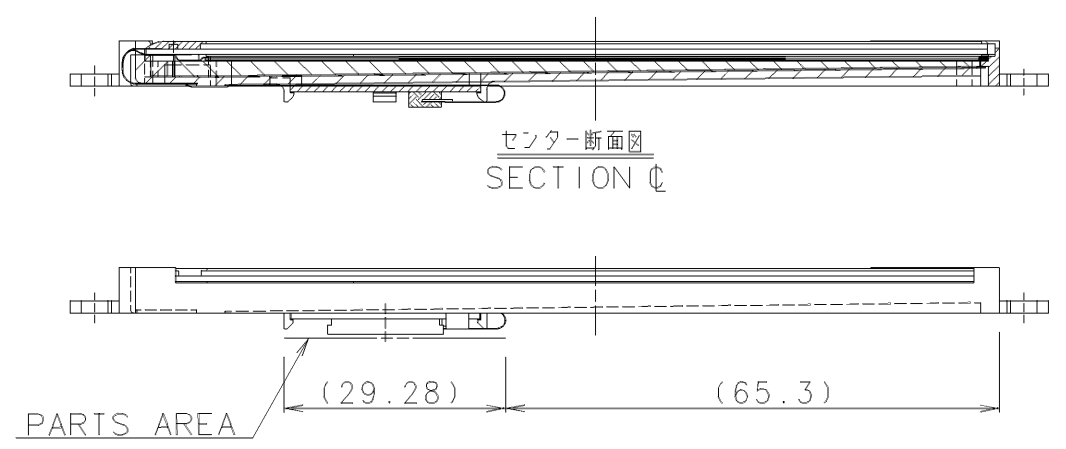


PIN ASSIGNMENT
CN1:

| No. | SYMBOL |
|-----|-----------|
| 1 | VSS |
| 2 | VSS |
| 3 | FLM |
| 4 | LP |
| 5 | CP |
| 6 | DISPOFF |
| 7 | VCC |
| 8 | D3 |
| 9 | D2 |
| 10 | D1 |
| 11 | D0 |
| 12 | VHH/VCONT |
| 13 | B/L |
| 14 | NC |



- 注記
- 1) 視角：液晶表示が最も良く見える方向
 - 2) で囲まれた範囲はシリコン塗布の最大範囲とし高さは偏光板より上へ出ないものとする。
 - 3) で囲まれた範囲はUV硬化樹脂及びシリコンの最大塗布範囲とする。
 - 4) ●印付き寸法は重要管理寸法とする。

- NOTES
- 1)VIEWING DIRECTION:DIRECTION THAT YOU CAN SEE THE DISPLAY MOST CLEARLY.
 - 2)THE MARK OF SHOWS THE AREA OF SILICON MAX COATING. THE SILICON SHOULD NOT BE PROTRUDE FROM THE EDGE OF LCDP AND SHOLD NOT INCREASE THE THICKNESS OF THE FRONT POLARIZER.
 - 3)THE MARK OF SHOWS THE MOLD AREA OF UV RESIN & SILICON.(MAX.)
 - 4)THE DIMENSIONS WITH THE MARK(●) ARE CONTROLLED AS A PARTICULAR CHARACTERISTIC.

| | | | | | |
|-----------|------|------|------|------------------------|----------------------|
| TOLERANCE | | | | THIRD ANGLE PROJECTION | DATE JUL. 7'04 |
| MEASURE | A | B | C | | |
| L≤16 | ±0.1 | ±0.3 | ±1 | UNIT mm | APPROVED T.Suzuki |
| 16<L≤63 | ±0.2 | ±0.5 | ±1.5 | | |
| 63<L≤250 | ±0.3 | ±0.8 | ±2 | | |
| 250<L≤500 | ±0.5 | ±1.2 | ±3 | SCALE 1:1 | CHECKED N.Wada |
| 500<L | ±0.8 | ±2 | ±4 | | |
| ANGLE | ±1° | ±5° | ±10° | | DRAWN M.Nakayama |

| | |
|--------------------|---------------------|
| OPTREX CORPORATION | |
| TITLE | DIMENSIONAL OUTLINE |
| CODE | F-51477 AG base |
| DWG NO | UE-311442 |