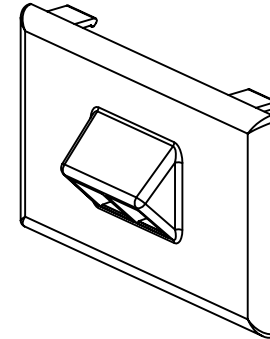
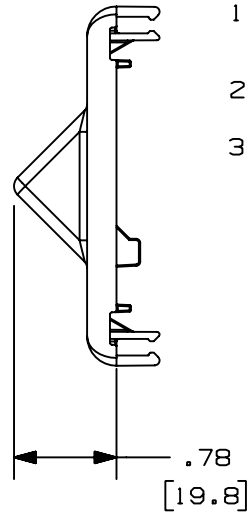
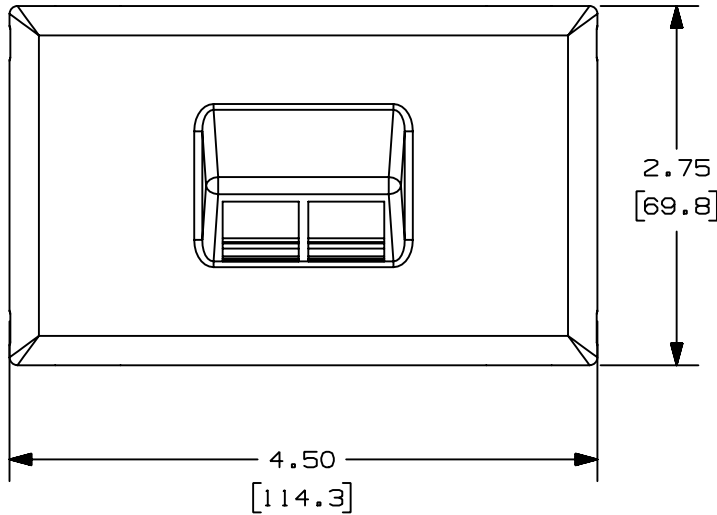


THIS COPY IS PROVIDED ON A RESTRICTED BASIS AND IS NOT TO BE USED IN ANY WAY DETRIMENTAL TO THE INTERESTS OF PANDUIT CORP.

PANDUIT P/N	WEIGHT
NK2HSRF	.76 LB/10 PCS (347 g/10 PCS)

NOTES:

1. SEE CURRENT CATALOG FOR ADDITIONAL PART SUFFIXES TO INDICATE COLOR AND OR PACKAGE QUANTITY.
2. THE NK2HSRF FACEPLATE WILL ACCEPT TWO NETKEY KEYSTONE JACK MODULES.
3. DIMENSIONS IN PARENTHESES ARE IN METRIC.



ENG. REF.: D38361BC_DC_NK2HSRF_00A

CAD FILENAME/LAYERS 38361-03.PDF

PANDUIT CORP. TINLEY PARK, ILLINOIS

NETKEY SNAP-ON SLOPED HORIZONTAL
TWO POSITION FACEPLATE (NK2HSRF)
CUSTOMER DRAWING

UNLESS OTHERWISE SPECIFIED,
DIMENSIONAL TOLERANCES ARE:
(.X) ± (.XXX) ±
(.XX) ±.03 (.8) ANGLES ±

UNLESS OTHERWISE SPECIFIED,
ALL DIMENSIONS ARE GIVEN
IN INCHES, THIRD ANGLE PROJECTION.

DRAWN BY JHNU

MAT'L:

SCALE NONE

DATE 11-30-01

PVC

DRAWING NO.

38361-03

DWG

SIZE A

CHK'D HIW

REV	DATE	BY	CHK	DESCRIPTION	ECN	R	CUST	SUP
R	11-30-01	JHNU	HIW	RELEASED TO PRODUCTION.	38361-03		HIW	HIW